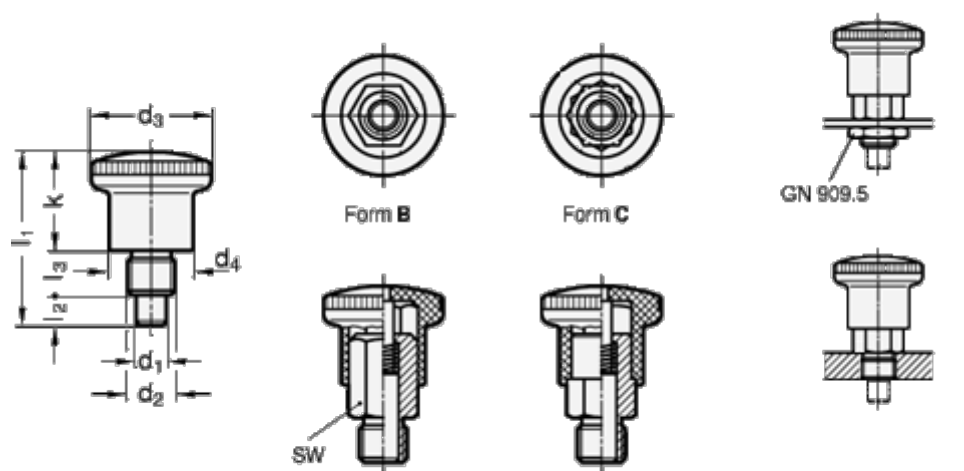


Article number: 20822610M16B

Description: E+G Mini indexing plunger
with/without rest position, GN 822.6-10-M16-B

Measures



$d_1 = 10$

$d_2 = M16$

$d_3 = 33$

$d_4 = 23$

$k = 25.5$

$l_1 = 47.5$

$l_2 = 10$

$l_3 = 12$

Spring load initial $N = 11$